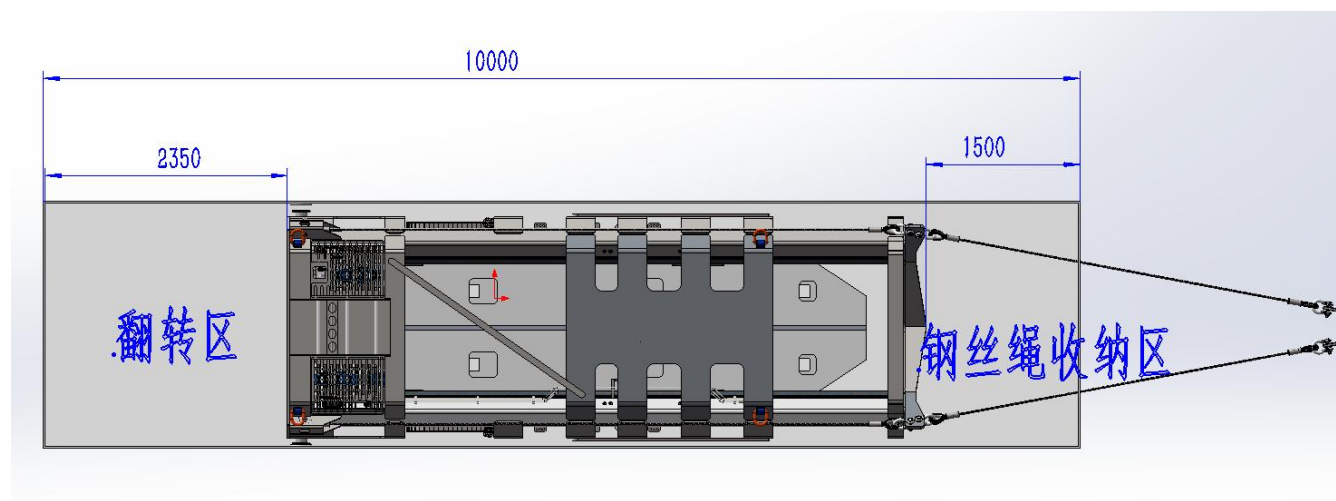
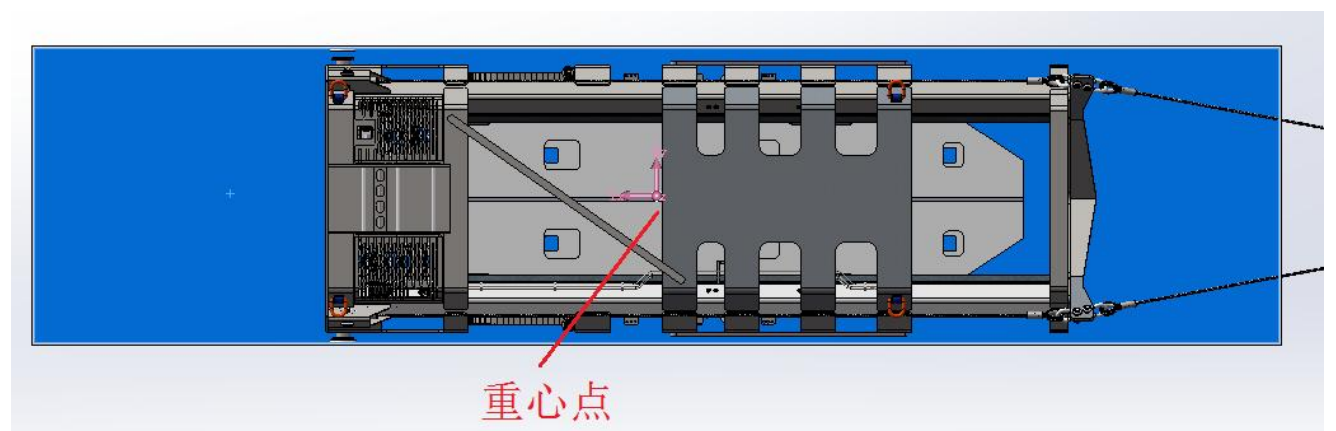


Scheme 1: Customized 10-meter-long packing, weld the flip support point in the container, use the crane to lift the rack assembly vertically from the top of the container into the container, and allow the flip round tube on the rack to enter the flip support point in the container, and put it down in the container.

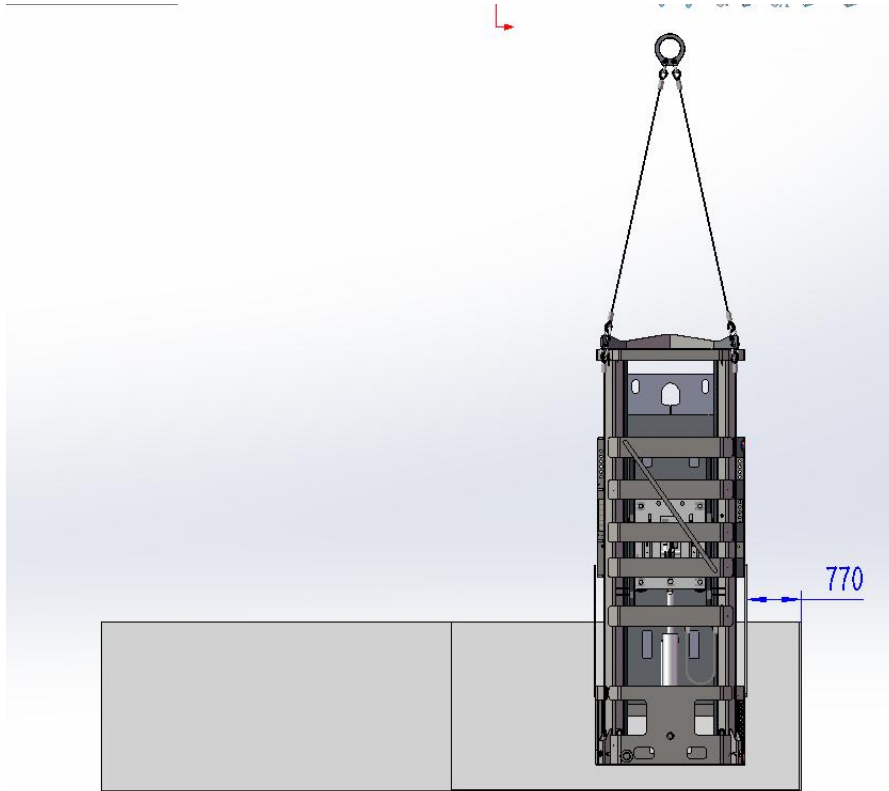
Space utilization diagram of the container:

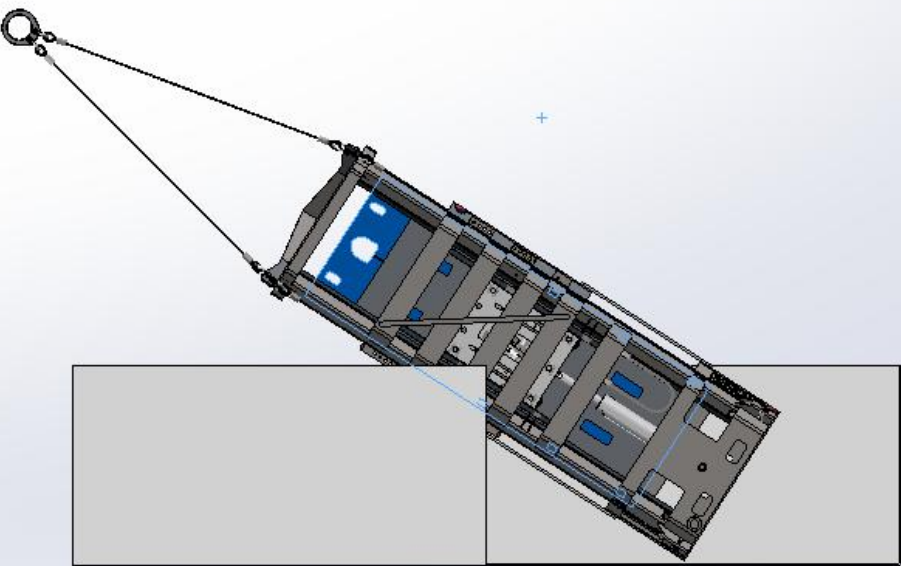
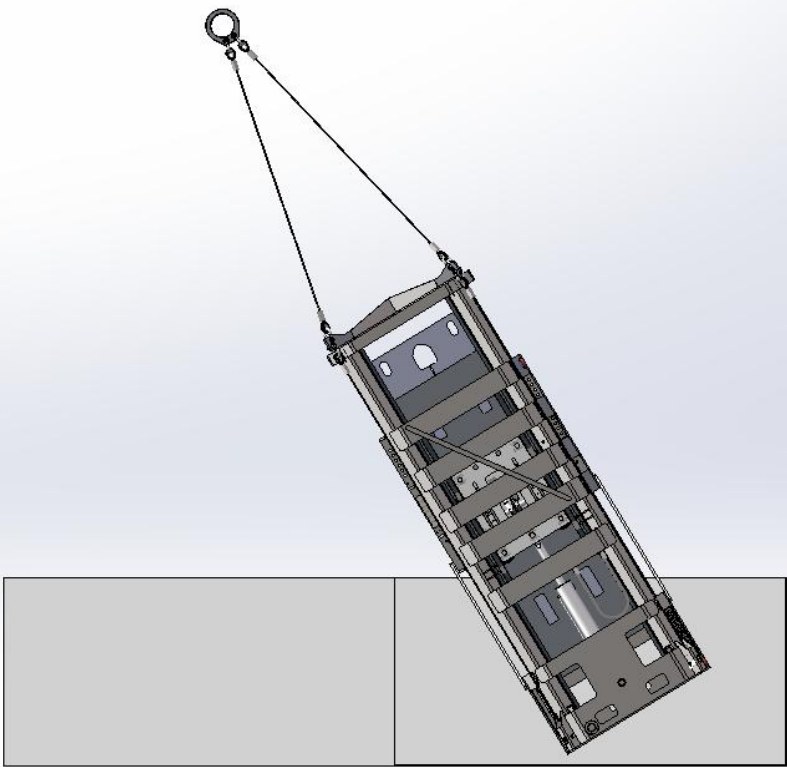


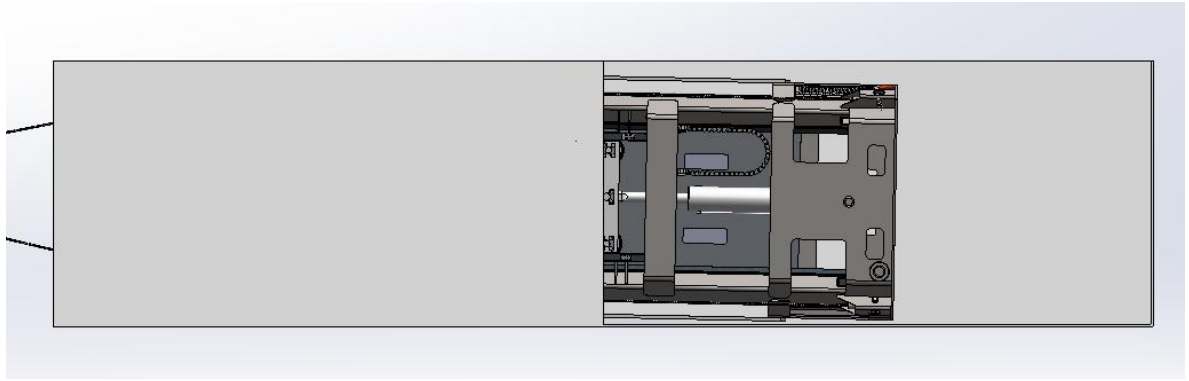
The center of gravity point is located in the middle of the assembly, to ensure the lifting balance of the container



## Schematic diagram of the hoisting process

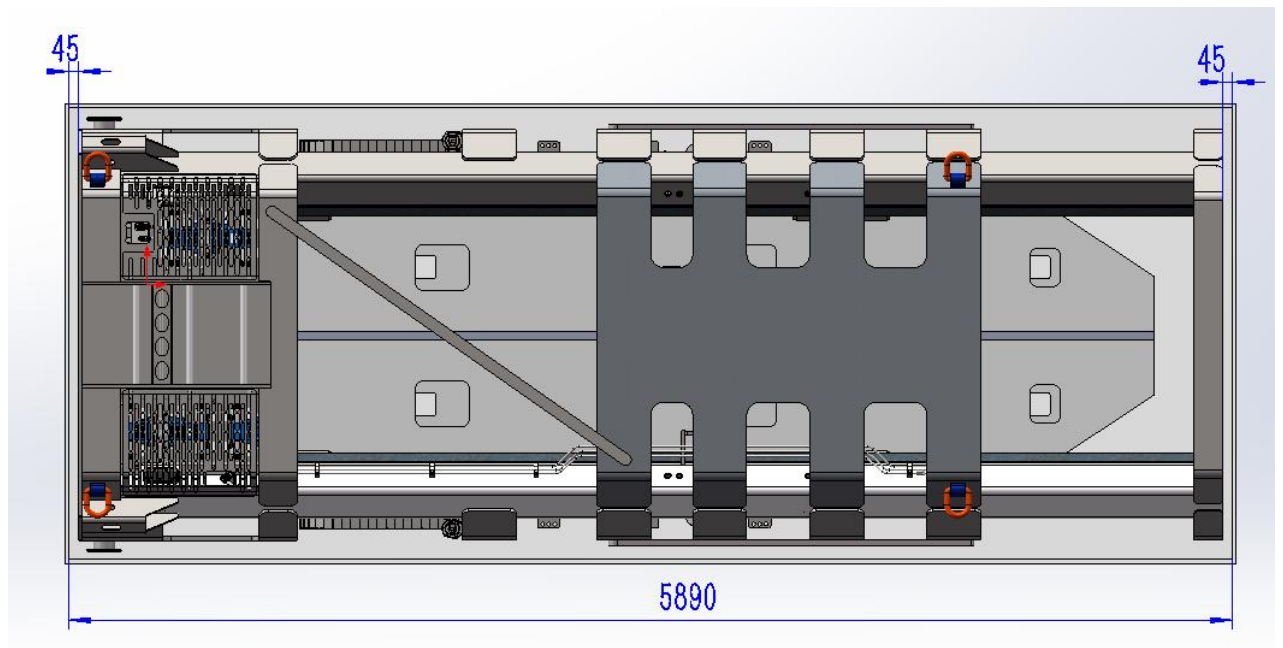






Scheme 2: Buy a 20-foot container, lift the frame assembly with the hanger, use the processed flip frame, flatten the machine outside the container, and then lift the flat frame assembly horizontally into the container from the top of the container.

Space utilization diagram of the container:



# Schematic diagram of the hoisting process

